

SCM25A Pro Mk2

Compact Active 3-way Studio Monitor

Overview

Compact very high performance 3-way studio monitor
 On-board 242W convection cooled discrete MOSFET class A/B amplifier.
 1 x balanced XLR input.
 User adjustable bass boost and input sensitivity.
 Suitable for use in stereo, surround and immersive audio applications.
 Install variant with remote amplifier also available – SCM25Ai Pro Mk2.

Acoustic specifications

Drive Units: Bass: 1 x SB50-I64SC 8Ω

Mid: 1 x SM75-I50 I6Ω

HF: 1 x SH25-76S 6ΩΩCompact.Ω

Low Frequency Cut-off: 47Hz (-6dB, anechoic).

High Frequency Cut-off: 25kHz (-6dB).

MaxSPL: 109dB continuous, 115dB peak (Per pair; IEC Weighted Pink Noise, 1m, anechoic).

Sensitivity: 92dBC ref. +4dBu (per single unit, 1m, pink noise, bass boost 0dB, sensitivity 2.2dBu/1V).

Electronic specifications

Amplifier type: Grounded Source MOSFET based Class A-B, convection cooled.

Output Power: Bass 150W into (8Ω), Mid 60W into (8Ω), HF 32W into (6Ω).

THD+N: <0.003%/-92dB (1kHz, 1dB below rated power; 90kHz BW).

Input CMRR: 82dB at (10kHz).

Balanced Input: 1 x Rear Panel Mounted Female XLR, pin 2 hot.

Input Impedance: 20kΩ (differential).

Frequency Response: <2Hz to >200kHz (-3dB).

Crossover Filters: 4th Order Linkwitz Riley at 380Hz and 3.5kHz.

Bass Boost Control: Continuously variable from 0dB to +3dB.

Input Sensitivity: 2.2dBu/1Vrms for full power.

Input Sensitivity Control: Continuously Variable from 2.2dBu – 8.2dBu/1Vrms – 2Vrms (-6dB).

Limiter: ATC Active FET Momentary Gain Reduction, active limiter indicated via front panel LED.

Mains Input: 220-230V or 115V – Factory set. Please observe panel markings and labels!

Power Consumption: Idle 24W/35VA. 1/8th Power 117W/159VA. Full Power 255W/324VA.

Heat Output: Idle 82BTU/hr. 1/8th power 335 BTU/hr. Full Power 358BTU/hr.

Physical specifications

See following page.



ATC reserve the right to change specifications without prior notice
Acoustic Transducer Co. is a trading name and ATC is the registered Trade Mark of Loudspeaker Technology Ltd.

SCM25A Pro Mk2

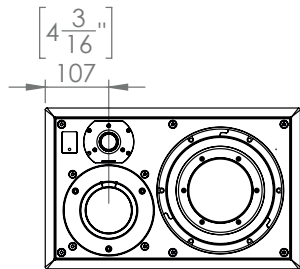
Compact Active 3-way Studio Monitor

Net Weight: 25.1kg/55.2lbs.

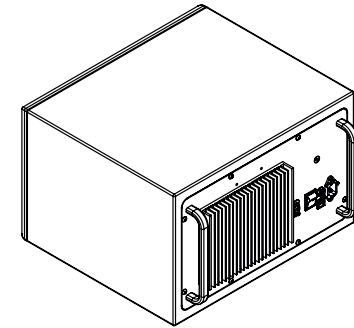
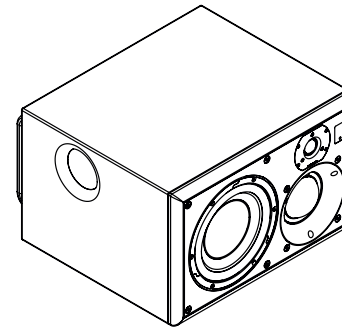
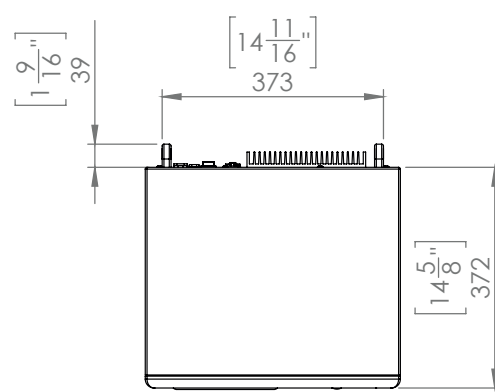
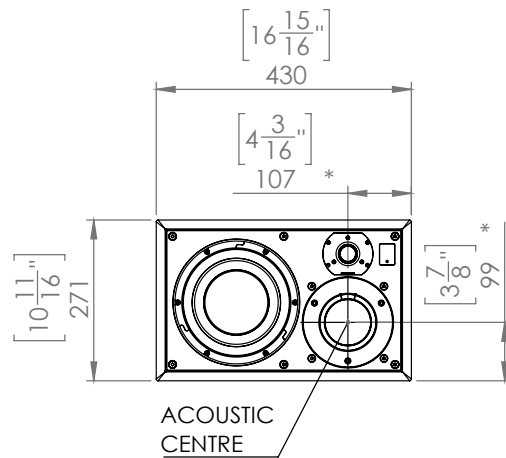
Dimensions...

SCM25A PRO MK2

RIGHT SPEAKER



LEFT SPEAKER



SUPPLIED AS MIRROR IMAGE PAIRS.
SINGLE SPEAKERS AVAILABLE AS 'LEFT-HAND' OR 'RIGHT-HAND' UNITS.
* ACOUSTIC CENTRE

